

D5-EVO THEFT-RESISTANT CAGE KIT INSTALLATION MANUAL



Company profile



1986

1990

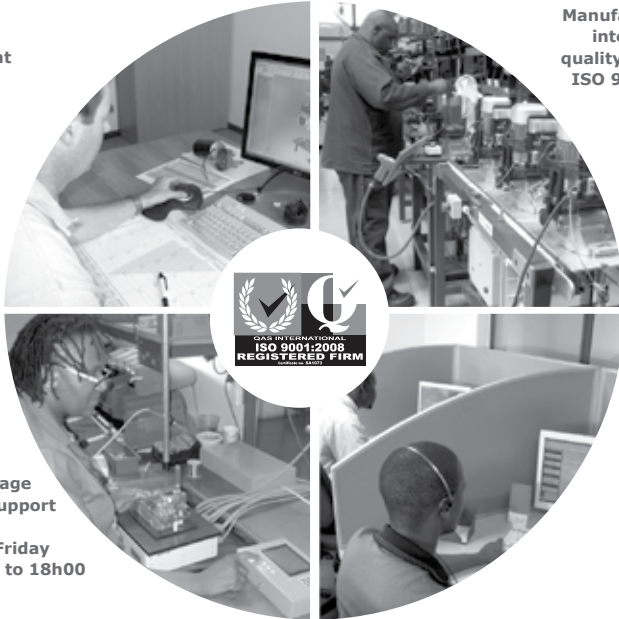
1995

1999

Today

In-house R&D development team

Manufactures to international quality standard ISO 9001:2008



After-sales multi-language Technical Support

**Monday to Friday from 07h00 to 18h00 GMT+2
Saturdays 08h00 to 16h30 GMT +2**

100% testing of products



Sales and technical support to Africa, Europe, Asia, the Americas, Australia and the Pacific

Centurion Systems (Pty) Ltd reserves the right to make changes to the products described in this manual without notice and without obligation to notify any persons of any such revisions or changes. Additionally, **Centurion Systems (Pty) Ltd** makes no representations or warranties with respect to this manual. No part of this document may be copied, stored in a retrieval system or transmitted in any form or by any means electronic, mechanical, optical or photographic, without the express prior written consent of **Centurion Systems (Pty) Ltd**.



IMPORTANT SAFETY INSTRUCTIONS

ATTENTION

To ensure the safety of people and possessions, it is important that you read all the following instructions.

Incorrect installation or incorrect use of the product may cause serious harm to people and / or property.



The installer, being either professional or DIY, is the last person on the site who can ensure that the operator is safely installed, and that the whole system can be operated safely.

Warnings for the installer

CAREFULLY READ AND FOLLOW ALL INSTRUCTIONS before beginning to install the product.

- Do not in any way modify the components
- Do not leave packing materials (plastic, polystyrene, etc.) within reach of children as such materials are potential sources of danger
- Neither Centurion Systems (Pty) Ltd, nor its subsidiaries, accepts any liability caused by improper use of the product, or for use other than that for which the automated system was intended
- This product was designed and built strictly for the use indicated in this documentation. Any other use, not expressly indicated here, could compromise the service life/operation of the product and/or be a source of danger
- The installer must explain the operation of the **SECTOR Breakaway Coupler** and any safety hazards to the end-user – refer to section "Installation Handover"
- Anything not expressly specified in these instructions is not permitted

Icons used in this manual



This icon indicates tips and other information that could be useful during the installation.



This icon denotes variations and other aspects that should be considered during installation.



This icon indicates warning, caution or attention! Please take special note of critical aspects that MUST be adhered to in order to prevent injury.

1. General Description

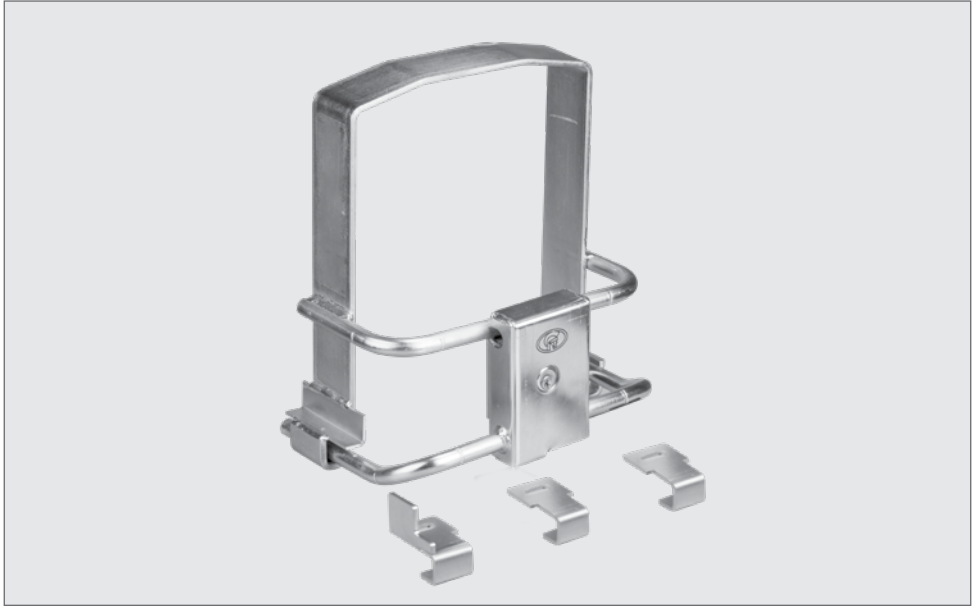


FIGURE 1. THEFT-RESISTANT CAGE KIT

The CENTSYS Theft-resistant cage, is designed to significantly reduce the risk of an intruder gaining access to the operator and increases the resistance of the unit against theft.

Disclaimer: Due to continuous improvement in the design and manufacture of this product, the actual product may differ slightly in appearance to that which is depicted herein. Centurion Systems (Pty) Ltd cannot be held liable under any circumstance for any damage, loss or action that results from your gate operator being tampered with.

2. Product Identification

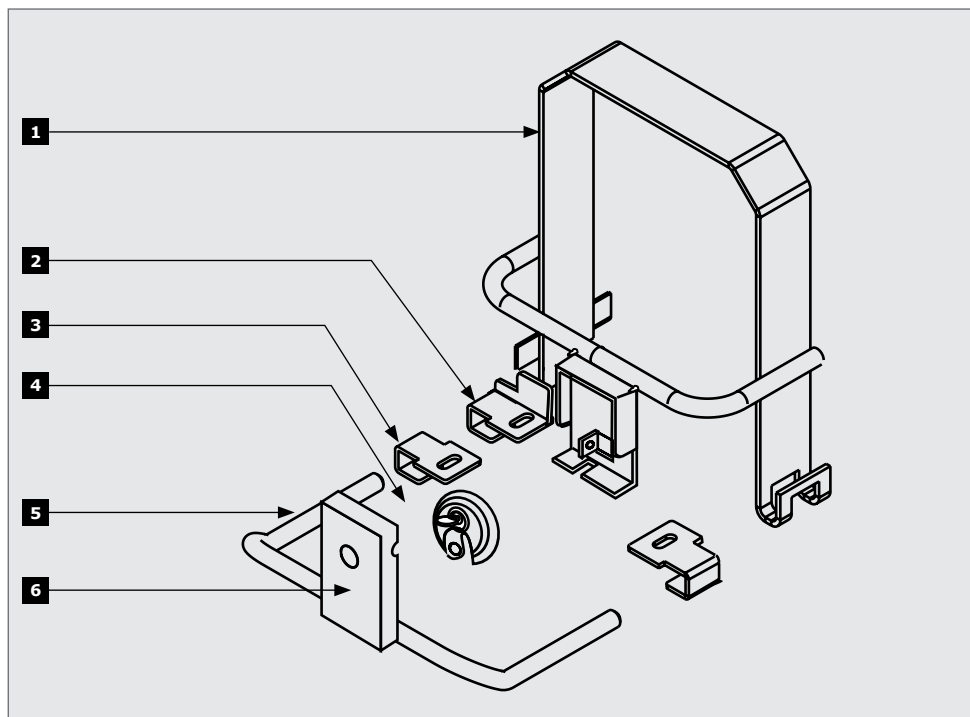


FIGURE 2. PRODUCT IDENTIFICATION

1. Theft-resistant cage overstrap
2. Closed-up mounting bracket
3. Mounting bracket
4. Discus padlock
5. Front bar
6. Padlock enclosure

3. Required Tools

1. Spanner – 17mm

4. Fitting the padlock to the front bar



The padlock is supplied already fitted to the front bar. In the event that it needs to be refitted, the following instructions detail the procedure for doing so.



FIGURE 3

Unlock the discus padlock

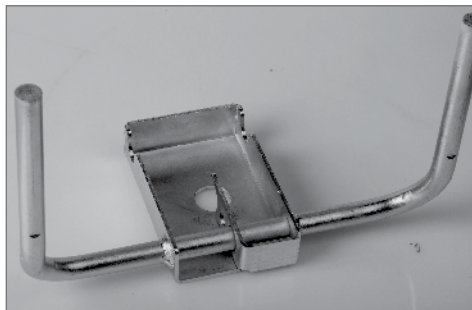


FIGURE 4

Locate the padlock enclosure on the front bar

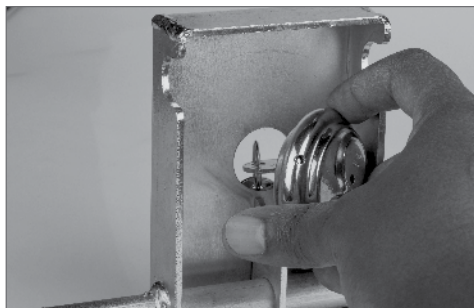


FIGURE 5

With the key in the lock, insert the discus padlock through the opening from the inside of the enclosure.

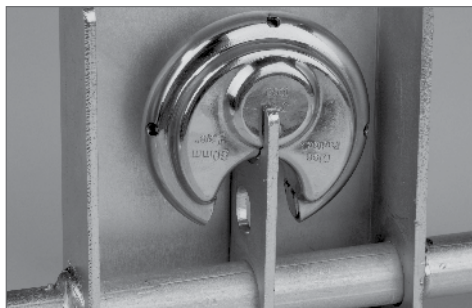


FIGURE 6

Align the padlock with the hole, ensuring that it is seated in the slot as shown in Figure 4.



FIGURE 7

Turn the key clockwise to secure the padlock in place.



FIGURE 8

Ensure that the padlock remains in position as shown in Figure 8.

5. Theft-resistant cage installation



IMPORTANT! For magnetic origin operator models, relocate gate magnet as close as possible to operator cover and reset gate Limits.



Please take note of the positioning of the mounting brackets. They should be placed as shown Figure 9.

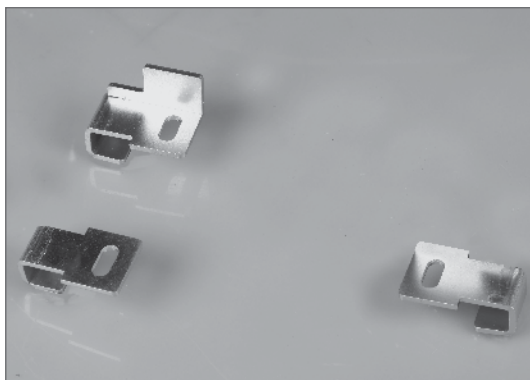


FIGURE 9

Remove the side covers to access the mounting bolts

Remove the mounting nuts and washers from the bolt using a 17mm ring spanner.

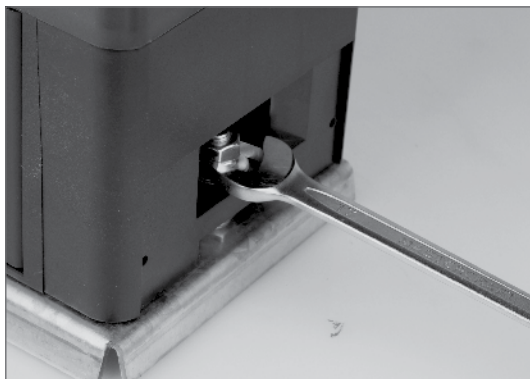


FIGURE 10

Insert the mounting bracket facing down as shown in Figure 11 before placing them onto the base plate

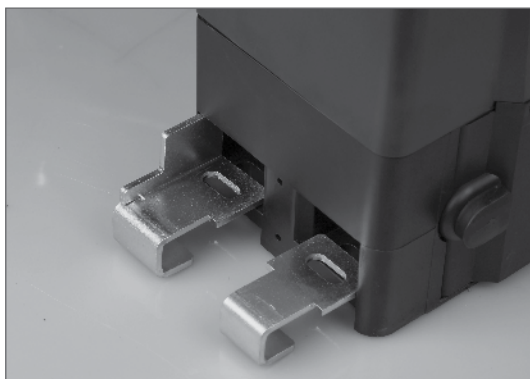


FIGURE 11

Lift the motor with the inserted brackets and place over the mounting bolts and fasten them using the provided M10 washer and M10 nut

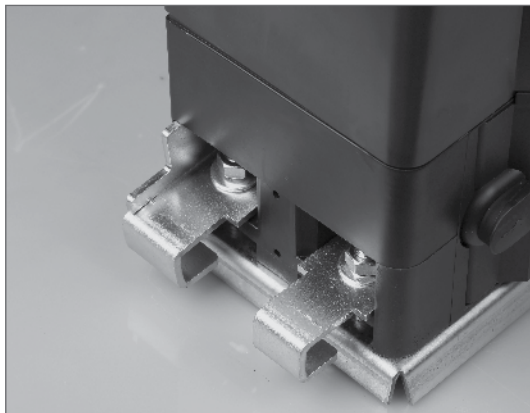


FIGURE 12

With the brackets mounted in position, insert and align the bracket strap in position as shown in Figure 13.

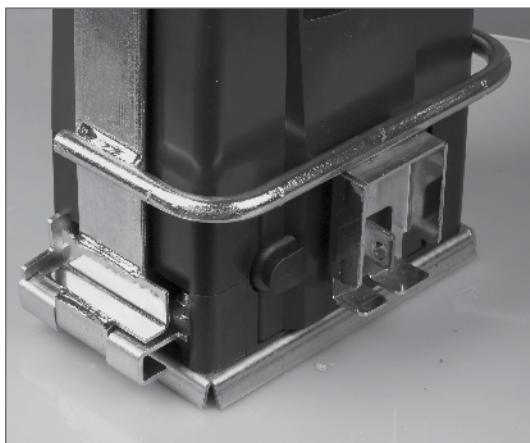


FIGURE 13



Always unlock the discus padlock before placing the front bar into position

Insert the front bar and discus padlock assembly through the mounting brackets and bracket strap assembly. Lock the front bar into position

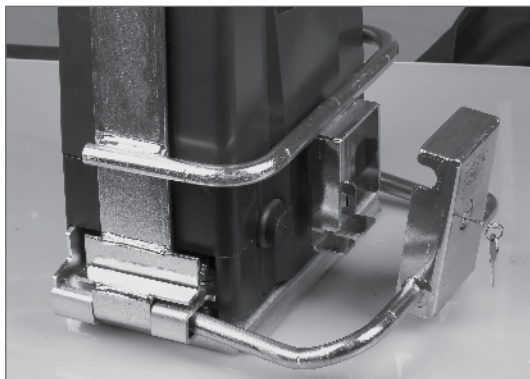


FIGURE 14

A finished installation should look like Figure 15



FIGURE 15



Connect with us on:

 facebook.com/centurionsystems

 YouTube.com/centurionsystems

 [@askcenturion](https://twitter.com/askcenturion)

Subscribe to the newsletter: www.centsys.com/subscribe

**Call Centurion Systems (Pty) Ltd; South Africa
Head Office: +27 11 699 2400**

**Call Technical Support: +27 11 699 2481
Monday to Friday: from 07h00 to 18h00 (GMT+2)
Saturday: from 08h00 to 16h30 (GMT+2)**

E&OE Centurion Systems (Pty) Ltd reserves the right to change any product without prior notice

All product and brand names in this document that are accompanied by the ® symbol are registered trademarks in South Africa and/or other countries, in favour of Centurion Systems (Pty) Ltd, South Africa.

The CENTURION and CENTSYS logos, all product and brand names in this document that are accompanied by the TM symbol are trademarks of Centurion Systems (Pty) Ltd, in South Africa and other territories; all rights are reserved.

We invite you to contact us for further details.



Doc number: 1130.D.01.0003

www.centsys.com.au